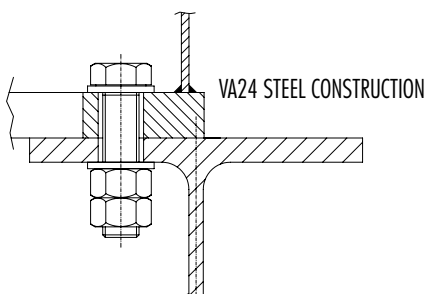
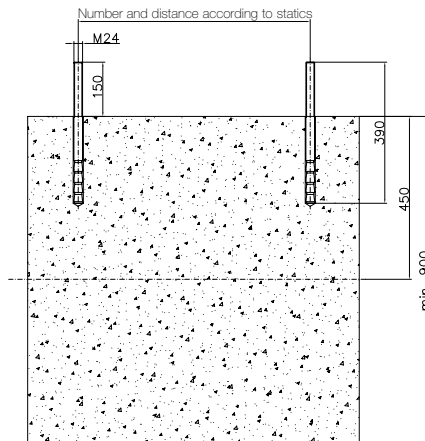
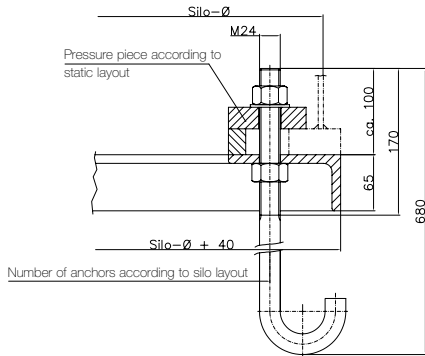


SILO ACCESSORIES ANCHORING

Material:	For items without material data, all parts are made of AlMg3, AlMgSi or Stainless Steel.
Standard accessories:	Accessories always include plant installation by P+W.

Design example



Description		Article no.
SVB	Foundation ring made of steel St-37 with anchors, pressure plates, nuts and washers. Rings without coating available in either one or two-part models. The visible ring surfaces should be coated after they have been set in concrete.	
Silo diameter d = 2400		
SVB 24.12	for silo sizes up to 48 m ³	SVB 24.12
SVB 24.24	for silo sizes from 58 m ³ to 70 m ³	SVB 24.24
Silo diameter d = 3000		
SVB 30.12	for silo sizes from 35 m ³ to 75 m ³	SVB 30.12
SVB 30.24	for silo sizes from 80 m ³ to 105 m ³	SVB 30.24
SVB 30.32	for silo sizes up to 125 m ³	SVB 30.32
SVB 30.48	for silo sizes up to 150 m ³	SVB 30.48
Silo diameter d = 3500		
SVB 35.12	for silo sizes from 45 m ³ to 100 m ³	SVB 35.12
SVB 35.24	for silo sizes from 118 m ³ to 150 m ³	SVB 35.24
SVB 35.32	for silo sizes from 154 m ³ to 173 m ³	SVB 35.32
SVB 35.40	for silo sizes from 190 m ³ to 197 m ³	SVB 35.40
SVB 35.52	for silo sizes from 214 m ³ to 221 m ³	SVB 35.52
SVB 35.68	for silo sizes from 238 m ³ to 245 m ³	SVB 35.68
Silo diameter d = 4200		
SVB 42.12	for silo sizes from 93 m ³ to 140 m ³	SVB 42.12
SVB 42.24	for silo sizes from 162 m ³ to 208 m ³	SVB 42.24
SVB 42.32	for silo sizes from 231 m ³ to 243 m ³	SVB 42.32
SVB 42.48	for silo sizes from 266 m ³ to 312 m ³	SVB 42.48
SVBZ	Foundation ring like "SVB" but the ring and pressure plates are galvanized	SVBZ
SVS	Strickle for drilling the silo ring stand onto the steel construction, ring screwed in two parts, made of steel St-37	
SVS 24	for silo diameter d = 2400	SVS 24
SVS 30	for silo diameter d = 3000	SVS 30
SVS 35	for silo diameter d = 3500	SVS 35
SVS 42	for silo diameter d = 4200	SVS 42
VA	Chemical two-component peg consisting of threaded anchor and anchor cartridge with pressure plates, nuts and washers. Permissible concentrated load after determining the concrete grade.	
VA 16	Dowel M 16 for indoor installation on concrete floor	VA 16
VA 24	Dowel M 24 for indoor installation on concrete floor	VA 24
VA 20DUEBEL.001	Dowel M 20 for fastening in the existing foundation	VA 20DUEBEL.001
VA 24Stahlbau	Anchoring material to mount the silo in the on site steel construction;	VA 24STAHLBAU
All measurements in mm.		